



SITESCAPES

2401 Production Dr
Roca, NE 68430

PF: 402/421-9464
FX: 402/421-9479

WEBSITE: www.sitescapesonline.com
E-MAIL: info@sitescapesonline.com

SHEET 1 OF 2

TITLE
*ARLINGTON
BACKED BENCH*

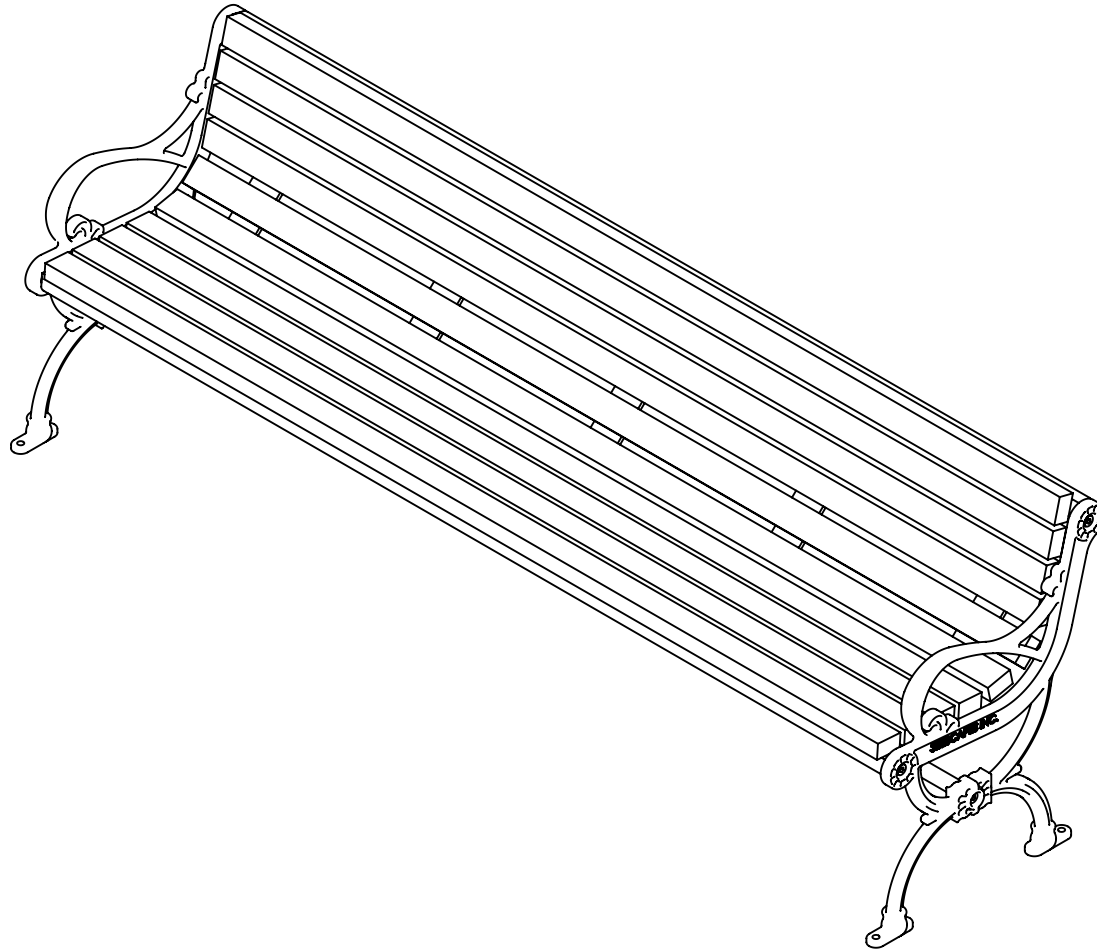
PRODUCT NO.
AR1-2210

INCH TOLERANCES U.O.S.

FRACTION-- $\pm 1/16"$
ANG----- $\pm 1^\circ$

THE INFORMATION CONTAINED IN THIS DRAWING IS THE SOLE PROPERTY OF SITESCAPES, INC. ANY REPRODUCTION IN PART OR AS A WHOLE WITHOUT THE WRITTEN PERMISSION OF SITESCAPES, INC. IS PROHIBITED.

*Available in powder coat and DuraCoat finishes





SITESCAPES

2401 Production Dr
Roca, NE 68430

PF: 402/421-9464
FX: 402/421-9479

WEBSITE: www.sitescapesonline.com
E-MAIL: info@sitescapesonline.com

SHEET 2 OF 2

TITLE *ARLINGTON
BACKED BENCH*

PRODUCT NO.
AR1-2210

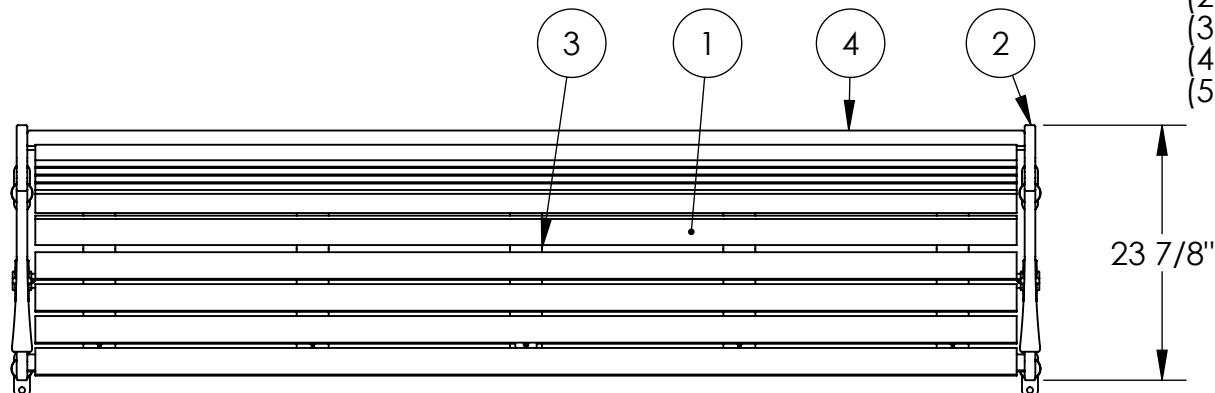
FRACTION-- $\pm 1/16"$
ANG----- $\pm 1^\circ$

THE INFORMATION CONTAINED IN THIS DRAWING IS THE SOLE PROPERTY OF SITESCAPES, INC. ANY REPRODUCTION IN PART OR AS A WHOLE WITHOUT THE WRITTEN PERMISSION OF SITESCAPES, INC. IS PROHIBITED.

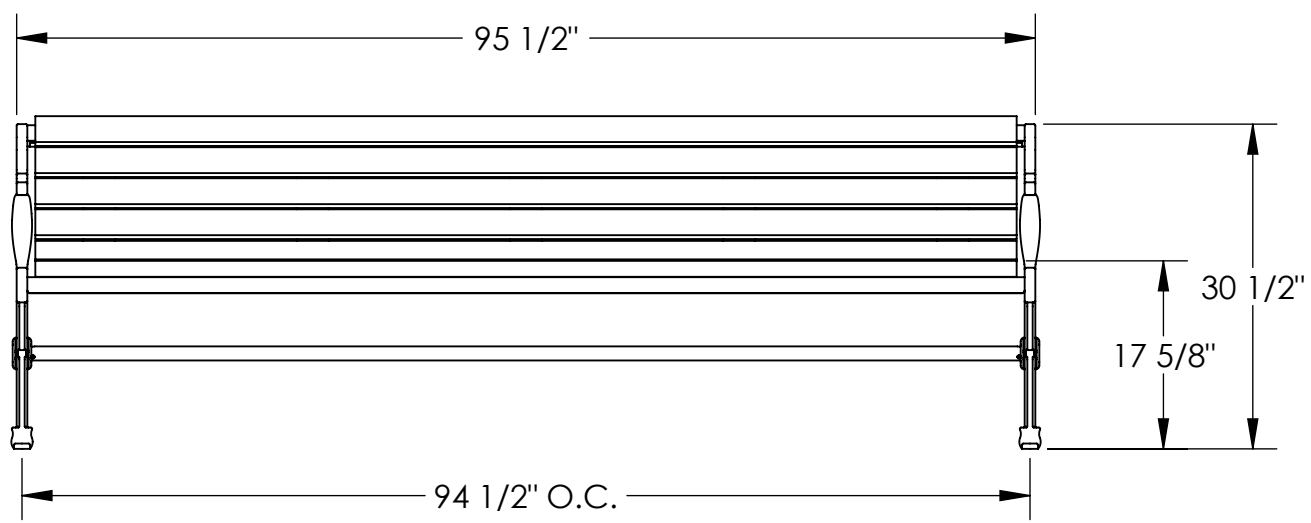
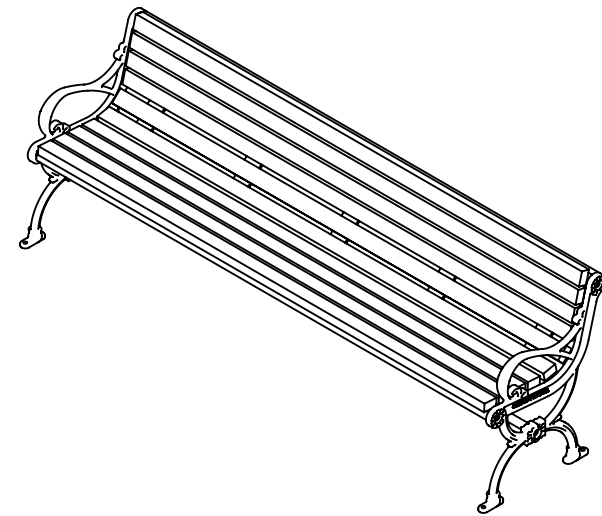
*Available in powder coat and DuraCoat finishes

MATERIALS LIST:

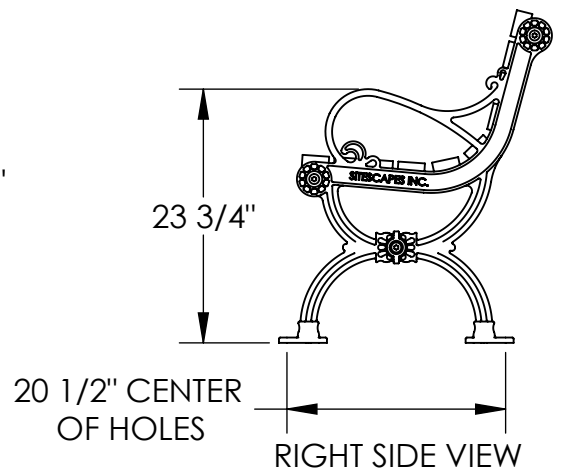
- (1) Seat Slats - 2" x 3" Nominal Recycled Plastic
- (2) End Units - 1" Thick Cast Aluminum
- (3) Support Straps - 3/8" Steel Plate
- (4) Support Tube - 1" Sch. 40 Steel Pipe
- (5) Mounted with Four 4"-5" Stainless Steel Anchor Bolts (Customer Supplied)



TOP VIEW



94 1/2" O.C.
FRONT VIEW



20 1/2" CENTER
OF HOLES
RIGHT SIDE VIEW